

JELD WEN® WINDOWS & DOORS

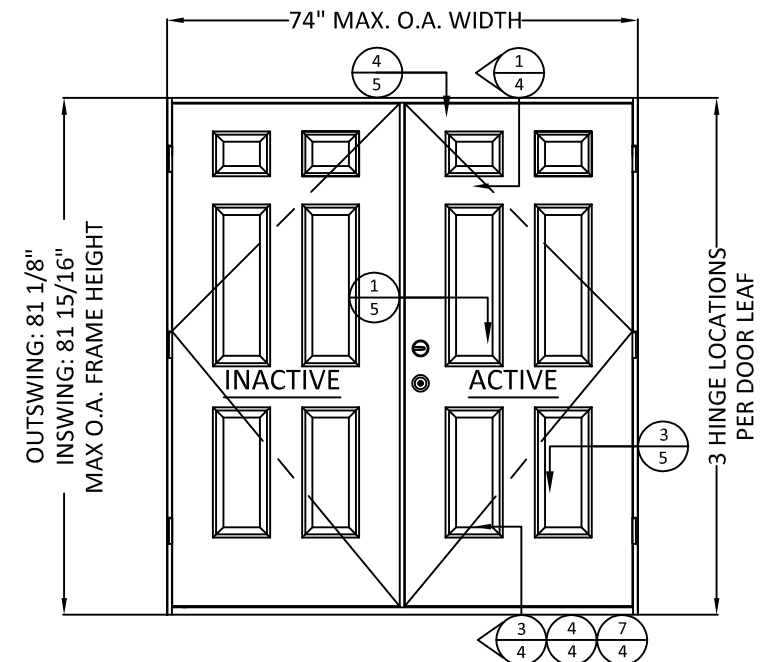
DESIGN PRO / SMOOTH PRO IMPACT APPROVED

FOR USE OUTSIDE THE HIGH VELOCITY HURRICANE ZONE (HVHZ)

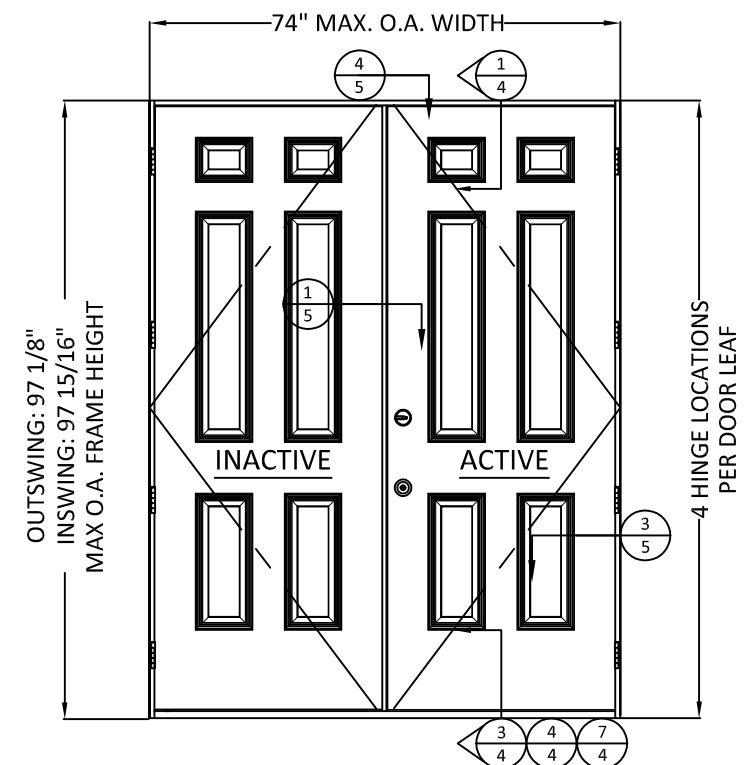
GENERAL NOTES:

- THE PRODUCT SHOWN HEREIN IS DESIGNED AND MANUFACTURED TO COMPLY WITH THE CURRENT INTERNATIONAL BUILDING CODE (IBC), INTERNATIONAL RESIDENTIAL CODE (IRC), AND FLORIDA BUILDING CODE (FBC), **EXCLUDING** HVHZ AND HAS BEEN EVALUATED ACCORDING TO THE FOLLOWING:
 - ASTM E283-04
 - ASTM E330-02
 - ASTM E1886-05
 - ASTM E1996-06
 - AAMA 1304-02
- ADEQUACY OF THE EXISTING STRUCTURAL CONCRETE/MASONRY OR 2X FRAMING AS A MAIN WIND FORCE RESISTING SYSTEM CAPABLE OF WITHSTANDING AND TRANSFERRING APPLIED PRODUCT LOADS TO THE FOUNDATION IS THE RESPONSIBILITY OF THE ENGINEER OR ARCHITECT OF RECORD FOR THE PROJECT OF INSTALLATION.
- THE INSTALLATION DETAILS DESCRIBED HEREIN ARE GENERIC AND MAY NOT REFLECT ACTUAL CONDITIONS FOR A SPECIFIC SITE. IF SITE CONDITIONS CAUSE INSTALLATION TO DEVIATE FROM THE REQUIREMENTS DETAILED HEREIN, A LICENSED ENGINEER OR ARCHITECT SHALL PREPARE SITE SPECIFIC DOCUMENTS FOR USE WITH THIS DOCUMENT.
- APPROVED IMPACT PROTECTIVE SYSTEM **IS NOT REQUIRED** ON THIS PRODUCT IN AREAS REQUIRING IMPACT RESISTANCE FOR WIND ZONE 3 OR LESS.
- 6-PANEL DOOR SHOWN FOR ILLUSTRATION PURPOSES. ADDITIONAL PANEL CONFIGURATIONS AND FLUSH DOORS ARE QUALIFIED.
- NOTE: AFCO H-497 SILL MEETS WATER INFILTRATION AT WATER TEST PRESSURE (WTP) OF 9.0 PSF. REMAINING SILLS NOT RATED FOR WATER INFILTRATION. IF AUTHORITY HAVING JURISDICTION REQUIRES THAT PRODUCT MEETS THIS REQUIREMENT, PRODUCT SHALL BE USED WHEN INSTALLED AT LOCATION PROTECTED BY OVERHANG SUCH THAT OVERHANG (OH) RATIO = OH LENGTH ÷ OH HEIGHT IS ≥ 1.0

TABLE OF CONTENTS		
SHEET	REVISION	SHEET DESCRIPTION
1	A	TYPICAL ELEVATIONS, DESIGN PRESSURES, AND GENERAL NOTES
2	A	TYPICAL ANCHOR LAYOUTS AND NOTES
3	-	OPTIONAL 2X BUCK ANCHORING DETAILS
4	A	VERTICAL ASSEMBLIES
5	A	HORIZONTAL ASSEMBLIES
6	-	WOOD SUBSTRATES
7	-	CONCRETE SUBSTRATES
8	A	COMPONENTS & BILL OF MATERIALS



1
TYP. ELEVATION 1
6'-8" DOOR HEIGHT



2
TYP. ELEVATION 2
8'-0" DOOR HEIGHT

NOTE:
INACTIVE AND ACTIVE DOOR PANEL
ORIENTATION IS INTERCHANGEABLE.

CONFIGURATION	MAX. OVERALL NOMINAL SIZE		DESIGN PRESSURE (PSF)				MISSILE IMPACT RATING
	WIDTH	HEIGHT	INSWING		OUTSWING		
			POS.	NEG.	POS.	NEG.	
XX	6'-0"	6'-8"	50*	50	50*	50	LMI & SMI
XX	6'-0"	8'-0"	50*	50	50*	50	LMI & SMI

*SEE GENERAL NOTE 6, SHEET 1, FOR WATER INFILTRATION APPROVED SILLS.

PREPARED BY:



BUILDING DROPS, INC.
398 E. DANIA BEACH BLVD., STE. 338
DANIA BEACH, FL 33004
PH: (954)399-8478
FAX: (954)744.4738
WEB: www.buildingdrops.com

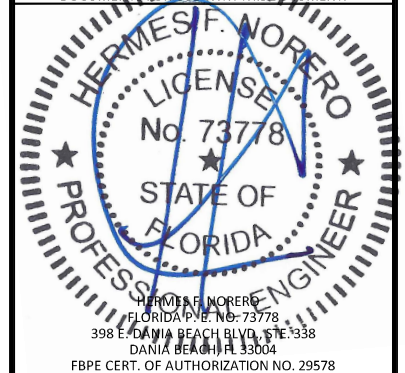
TITLE: DESIGN PRO/SMOOTH PRO
IMPACT APPROVED
TYPICAL ELEVATIONS, DESIGN
PRESSURES, AND GENERAL NOTES

3737 LAKEPORT BLVD.,
KLAMATH FALLS, OR 97601
PH: (541)882-3451
FAX: (541)850-2609

JELD WEN®
WINDOWS & DOORS

REMARKS	BY	DATE
Add Multi-Point Lock	GL	06/23/14
Reference DWG. #A010853A	AM	09/04/19

THE INSTALLATION DETAILS DESCRIBED HEREIN ARE GENERIC AND MAY NOT REFLECT ACTUAL CONDITIONS FOR A SPECIFIC SITE. IF SITE CONDITIONS CAUSE INSTALLATION TO DEVIATE FROM THE REQUIREMENTS DETAILED HEREIN, A LICENSED ENGINEER OR ARCHITECT SHALL PREPARE SITE SPECIFIC DOCUMENTS FOR USE WITH THIS DOCUMENT.



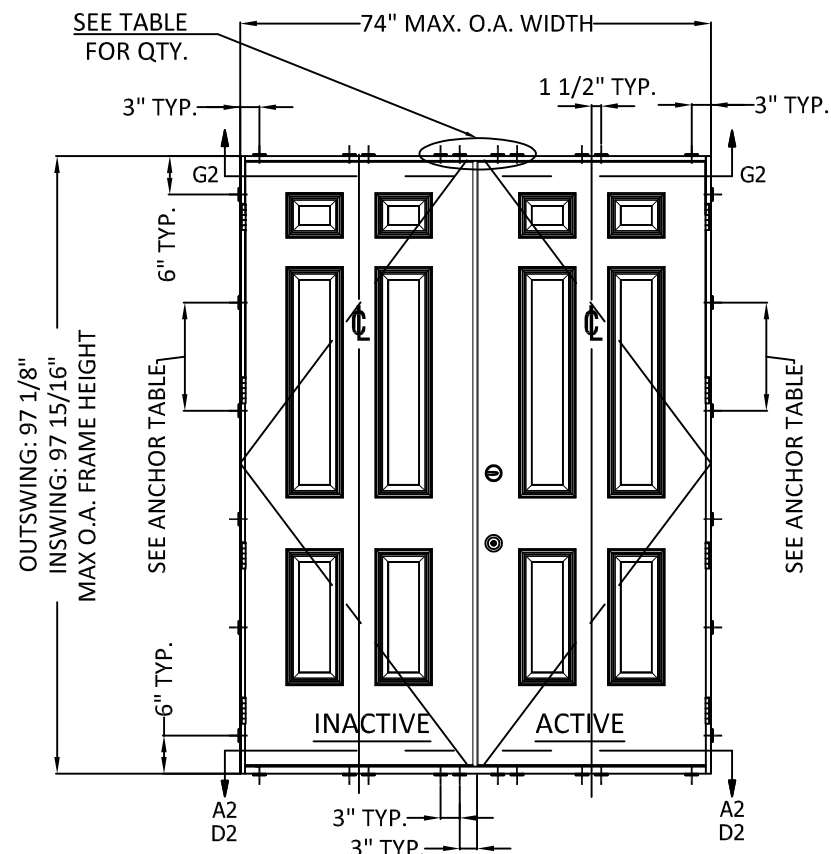
HERMES F. NORERO
FLORIDA P.E. NO. 73778
398 E. DANIA BEACH BLVD., STE. 338
DANIA BEACH, FL 33004
FBPE CERT. OF AUTHORIZATION NO. 29578

DATE:	02.05.14
DWG. BY:	GL/TJM
CHK. BY:	SS/MSS
SCALE:	NTS
DWG. #:	D015696

SHEET: 1 OF 8

INSTALLATION NOTES:

- ONE (1) INSTALLATION ANCHOR IS REQUIRED AT EACH ANCHOR LOCATION SHOWN.
- SHIM AS REQUIRED AT EACH INSTALLATION ANCHOR WITH LOAD BEARING SHIM(S). MAXIMUM ALLOWABLE SHIM STACK TO BE 1/4 INCH. SHIM WHERE SPACE OF 1/16 INCH OR GREATER OCCURS. SHIM(S) SHALL BE CONSTRUCTED OF HIGH DENSITY PLASTIC OR BETTER.
- MINIMUM EMBEDMENT AND EDGE DISTANCE EXCLUDE WALL FINISHES, INCLUDING BUT NOT LIMITED TO STUCCO, FOAM, BRICK VENEER, AND SIDING.
- INSTALLATION ANCHORS AND ASSOCIATED HARDWARE MUST BE MADE OF CORROSION RESISTANT MATERIAL OR HAVE A CORROSION RESISTANT COATING, AND SHALL BE INSTALLED IN ACCORDANCE WITH ANCHOR MANUFACTURER'S INSTALLATION INSTRUCTIONS.
- FOR HOLLOW BLOCK AND GROUT FILLED BLOCK, DO NOT INSTALL INSTALLATION ANCHORS INTO MORTAR JOINTS. EDGE DISTANCE IS MEASURED FROM FREE EDGE OF BLOCK OR EDGE OF MORTAR JOINT INTO FACE SHELL OF BLOCK.
- FOR 2X STUD CONSTRUCTION, ANCHORING OF THESE PRODUCTS SHALL BE THE SAME AS FOR 2X BUCK CONCRETE/MASONRY CONSTRUCTION.
- INSTALLATION ANCHOR CAPACITIES FOR PRODUCTS HEREIN ARE BASED ON SUBSTRATE MATERIALS WITH THE FOLLOWING PROPERTIES:
 - WOOD - MINIMUM SPECIFIC GRAVITY OF 0.55.
 - CONCRETE - MINIMUM COMPRESSIVE STRENGTH OF 3000 PSI.
 - GROUT-FILLED CMU- UNIT STRENGTH CONFORMS TO ASTM C-90 WITH MINIMUM COMPRESSIVE STRENGTH OF 2000 PSI AND GROUT CONFORMS TO ASTM C 476, MINIMUM GROUT COMPRESSIVE STRENGTH OF 2000 PSI.
 - HOLLOW BLOCK CMU - UNIT STRENGTH CONFORMS TO ASTM C-90 WITH MINIMUM COMPRESSIVE STRENGTH OF 2000 PSI.
- SEE SHEETS 6 AND 7 FOR MORE DETAILS OF THE INSTALLATION REQUIREMENTS, INCLUDING ANCHOR LOCATIONS, EDGE DISTANCES, EMBEDMENTS, AND SHIM SPACING.
- OPTIONALLY, ANCHORS CAN BE PLACED IN NARROW SECTION OF HEAD OR JAMB AS LONG AS MINIMUM EMBEDMENT AND EDGE DISTANCE ARE ACHIEVED.

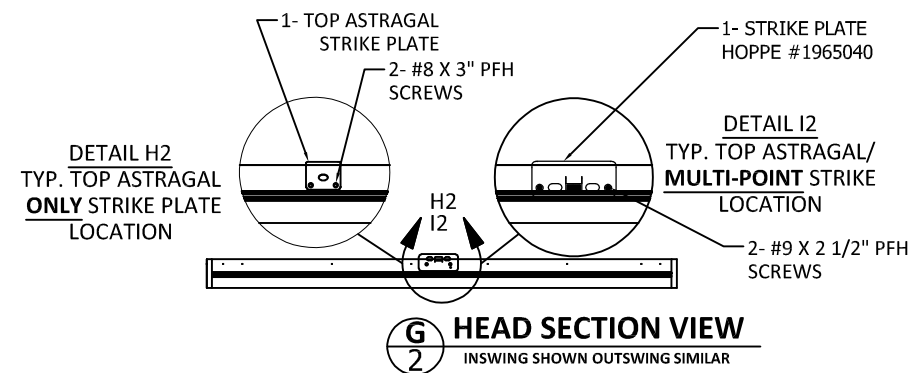
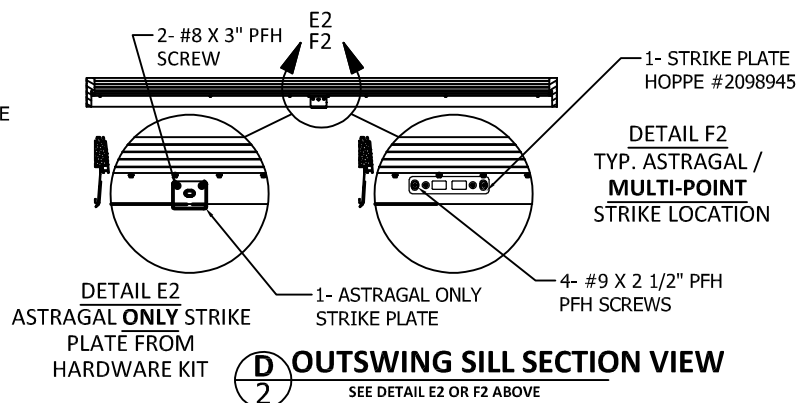
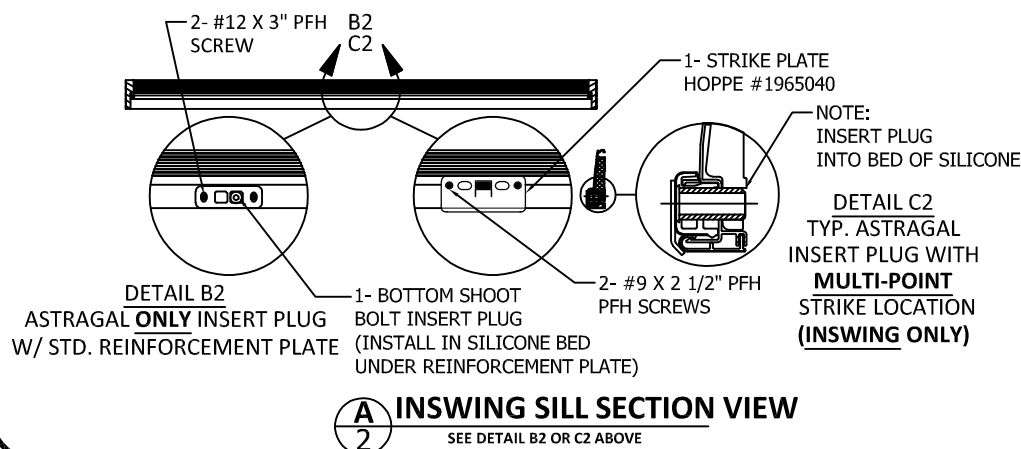


1 TYP. ANCHOR LAYOUT
6'-8" OR 8'-0" DOOR HEIGHT

NOTE:
INACTIVE AND ACTIVE DOOR PANEL ORIENTATION IS INTERCHANGEABLE.

ANCHOR TABLE

ANCHOR TYPE	ANCHOR SIZE	SUBSTRATE	MIN. EMBEDMENT	MIN. EDGE DISTANCE	6'8" DOORS		8'0" DOORS	
					MAX. O.C. SPACING AT JAMBS	# OF ANCHORS AT HEAD/SILL CLUSTERS	MAX. O.C. SPACING AT JAMBS	# OF ANCHORS AT HEAD/SILL CLUSTERS
WOOD SCREW	#10	2X WOOD BUCK OR FRAMING	1-1/2"	3/4"	17-1/2"	4	17-1/4"	4
ITW TAPCON	3/16"	CONCRETE/CMU	1-1/4"	2-1/2"	17-1/2"	4	17-1/4"	4
ELCO ULTRACON	1/4"	CONCRETE/CMU	1-3/8" - CONC. 1-1/4" - CMU	1"	17-1/2"	4	17-1/4"	4
ITW TAPCON	3/16"	CONCRETE/CMU	1-1/4"	1"	11-5/8"	8	14-3/8"	6



PREPARED BY:



BUILDING DROPS, INC.
398 E. DANIA BEACH BLVD., STE. 338
DANIA BEACH, FL 33004
PH: (954)399-8478
FAX: (954)744.4738
WEB: www.buildingdrops.com

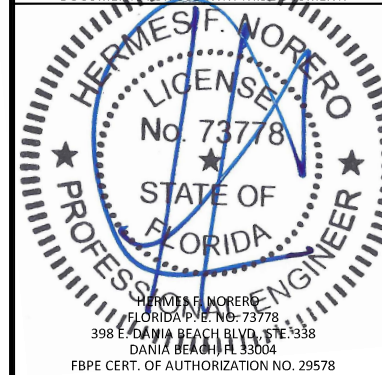
TITLE: DESIGN PRO/SMOOTH PRO
IMPACT APPROVED
TYPICAL ANCHOR LAYOUTS AND NOTES

3737 LAKEPORT BLVD.,
KLAMATH FALLS, OR 97601
PH: (541)882-3451
FAX: (541)850-2609



REMARKS	BY	DATE
Add Multi-Point Lock	GL	06/23/14
Reference DWG. #A010853A	AM	09/04/19

THE INSTALLATION DETAILS DESCRIBED HEREIN ARE GENERIC AND MAY NOT REFLECT ACTUAL CONDITIONS FOR A SPECIFIC SITE. IF SITE CONDITIONS CAUSE INSTALLATION TO DEVIATE FROM THE REQUIREMENTS DETAILED HEREIN, A LICENSED ENGINEER OR ARCHITECT SHALL PREPARE SITE SPECIFIC DOCUMENTS FOR USE WITH THIS DOCUMENT.



DATE:	02.05.14	
DWG. BY:	GL/TJM	CHK. BY: SS/MSS
SCALE:	NTS	
DWG. #:	D015696	
SHEET:	OF 8	

PREPARED BY:

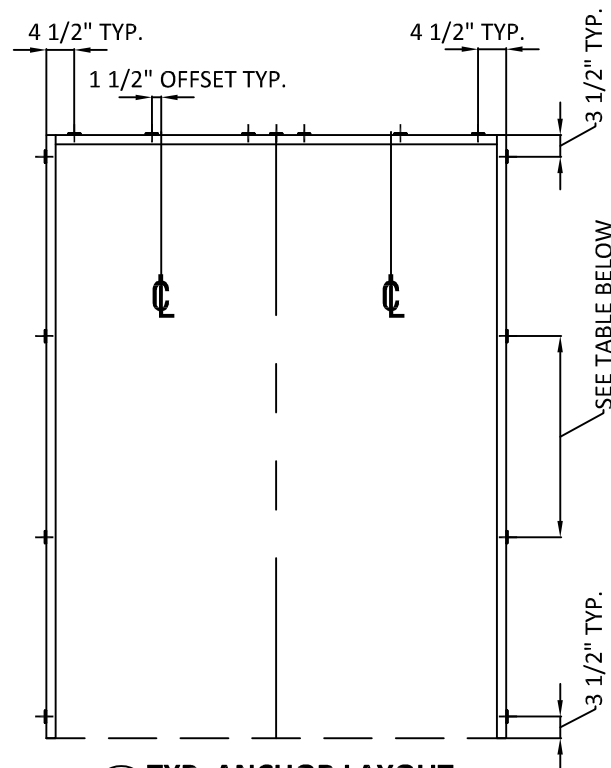


BUILDING DROPS, INC.
 398 E. DANIA BEACH BLVD., STE. 338
 DANIA BEACH, FL 33004
 PH: (954)399-8478
 FAX: (954)744.4738
 WEB: www.buildingdrops.com

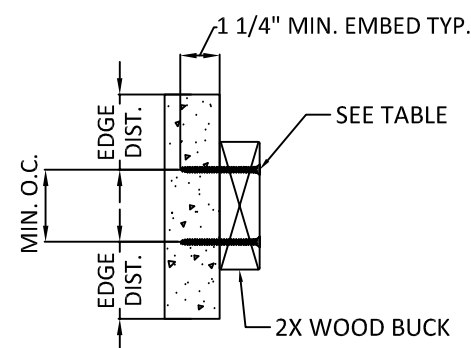
TITLE: DESIGN PRO/SMOOTH PRO
 IMPACT APPROVED
 OPTIONAL 2X BUCK
 ANCHORING DETAILS

3737 LAKEPORT BLVD.,
 KLAMATH FALLS, OR 97601
 PH: (541)882-3451
 FAX: (541)850-2609

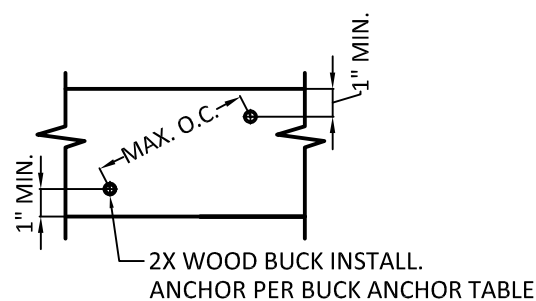
JELD WEN
 WINDOWS & DOORS



1 TYP. ANCHOR LAYOUT
3 OPTIONAL 2X BUCK IN CONCRETE/MASONRY



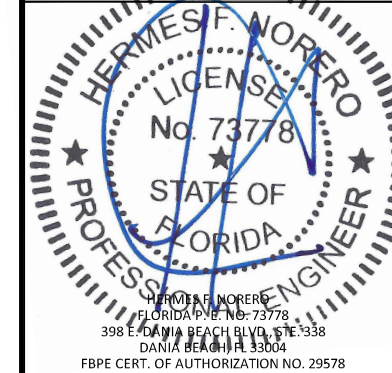
3 2X WOOD BUCK INSTALL.
 CROSS SECTION



4 2X WOOD BUCK INSTALL.
 SIDE VIEW

2X BUCK ANCHOR TABLE							
ANCHOR TYPE	ANCHOR SIZE	SUBSTRATE	MIN. EMBEDMENT	MIN. EDGE DIST. TO SUBSTRATE	MIN. CENTER TO CENTER DISTANCE	6'8" DOORS	8'0" DOORS
						MAX. O.C. SPACING AT JAMBS	MAX. O.C. SPACING AT JAMBS
ITW TAPCON	1/4"	CONCRETE/CMU	1-1/4"	2-1/2"	4"	25"	30-1/4"
ELCO ULTRACON	1/4"	CONCRETE/CMU	1-3/8" - CONC. 1-1/4" - CMU	1"	4"	25"	30-1/4"

THE INSTALLATION DETAILS DESCRIBED HEREIN ARE GENERIC AND MAY NOT REFLECT ACTUAL CONDITIONS FOR A SPECIFIC SITE. IF SITE CONDITIONS CAUSE INSTALLATION TO DEVIATE FROM THE REQUIREMENTS DETAILED HEREIN, A LICENSED ENGINEER OR ARCHITECT SHALL PREPARE SITE SPECIFIC DOCUMENTS FOR USE WITH THIS DOCUMENT.



DATE: 02.05.14

DWG. BY: GL/TJM
 CHK. BY: SS/MSS

SCALE: NTS

DWG. #: D015696

SHEET: OF 8

NOTES:

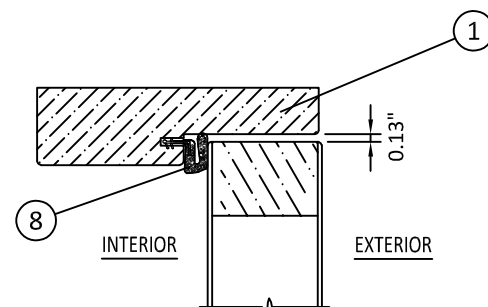
1. 2X BUCK IS NOT FOR INSTALLATION AT SILL. THRESHOLD SHALL BE FASTENED IN ACCORDANCE WITH ANCHOR LOCATIONS SHOWN ON SHEET 2.
2. ANCHORS MAY BE STAGGERED AS SHOWN IN DETAIL 4/3.

PREPARED BY:

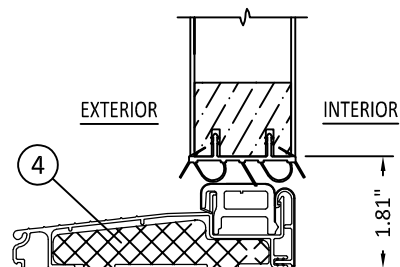


BUILDING DROPS, INC.

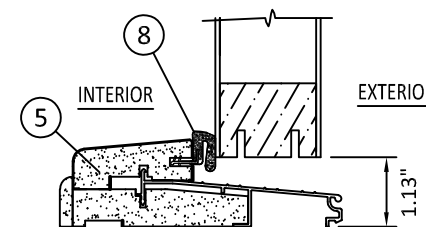
398 E. DANIA BEACH BLVD., STE. 338
DANIA BEACH, FL 33004
PH: (954)399-8478
FAX: (954)744.4738
WEB: www.buildingdrops.com



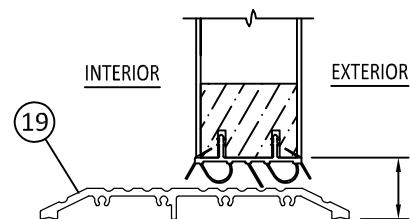
1
4 **OPERABLE HEAD**
OUTSWING SHOWN - INSWING SIMILAR



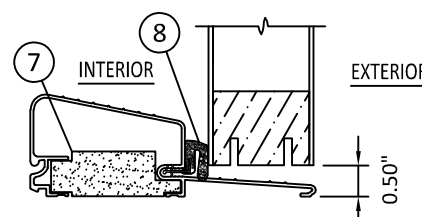
3
4 **OPERABLE SILL**
INSWING



4
4 **OPERABLE SILL**
OUTSWING



5
4 **OPERABLE ADA SILL**
INSWING/OUTSWING



7
4 **OPERABLE SILL**
OUTSWING
OPTIONAL AFCO H-497

TITLE: DESIGN PRO/SMOOTH PRO
IMPACT APPROVED

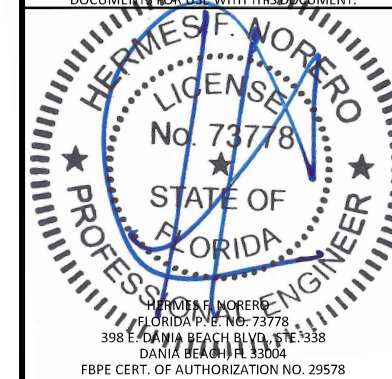
VERTICAL ASSEMBLIES

3737 LAKEPORT BLVD.,
KLAMATH FALLS, OR 97601
PH: (541)882-3451
FAX: (541)850-2609

JELD WEN
WINDOWS & DOORS

REMARKS	BY	DATE
Add Multi-Point Lock	GL	06/23/14
Reference DWG. #A010853A	AM	09/04/19

THE INSTALLATION DETAILS DESCRIBED HEREIN ARE GENERIC AND MAY NOT REFLECT ACTUAL CONDITIONS FOR A SPECIFIC SITE. IF SITE CONDITIONS CAUSE INSTALLATION TO DEVIATE FROM THE REQUIREMENTS DETAILED HEREIN, A LICENSED ENGINEER OR ARCHITECT SHALL PREPARE SITE SPECIFIC DOCUMENTS FOR USE WITH THIS DOCUMENT.



DATE: 02.05.14

DWG. BY: GL/TJM CHK. BY: SS/MSS

SCALE: NTS

DWG. #: D015696

SHEET: 4 OF 8

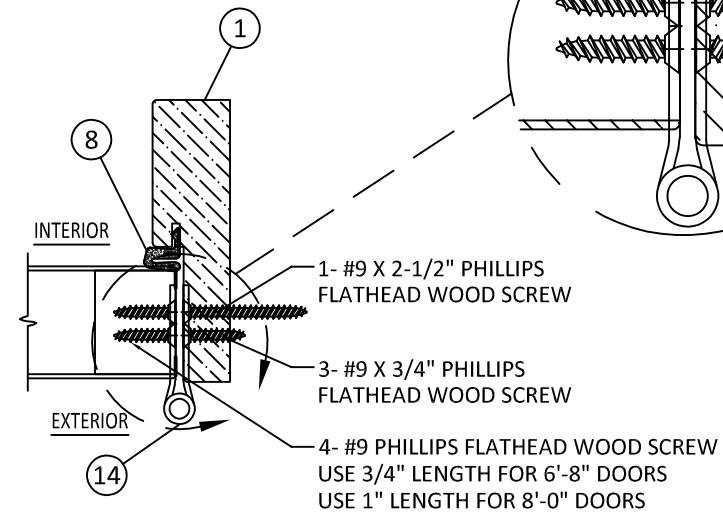
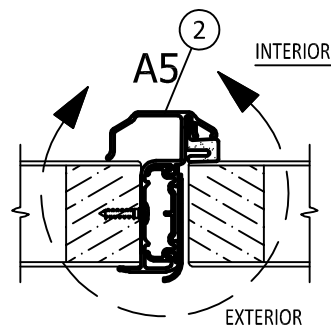
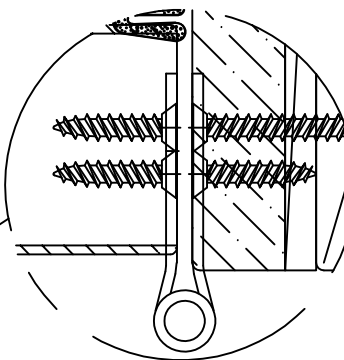
PREPARED BY:



BUILDING DROPS, INC.
 398 E. DANIA BEACH BLVD., STE. 338
 DANIA BEACH, FL 33004
 PH: (954)399-8478
 FAX: (954)744.4738
 WEB: www.buildingdrops.com

HINGE SCHEDULE	
DOOR HEIGHT	QUANTITY
6'-8"	3
8'-0"	4

HINGE DETAIL AT JAMB:
 PLACE #9 X 2-1/2" PFH SCREW NEXT TO WEATHERSTRIP



1
5 MEETING STILE
 OUTSWING SHOWN - INSWING SIMILAR

3
5 HINGE JAMB
 OUTSWING SHOWN - INSWING SIMILAR

- 1- #9 X 2-1/2" PHILLIPS FLATHEAD WOOD SCREW
- 3- #9 X 3/4" PHILLIPS FLATHEAD WOOD SCREW
- 4- #9 PHILLIPS FLATHEAD WOOD SCREW
 USE 3/4" LENGTH FOR 6'-8" DOORS
 USE 1" LENGTH FOR 8'-0" DOORS

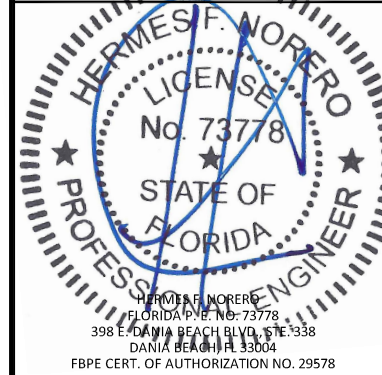
TITLE:
 DESIGN PRO/SMOOTH PRO
 IMPACT APPROVED
 HORIZONTAL ASSEMBLIES

3737 LAKEPORT BLVD.,
 KLAMATH FALLS, OR 97601
 PH: (541)882-3451
 FAX: (541)850-2609

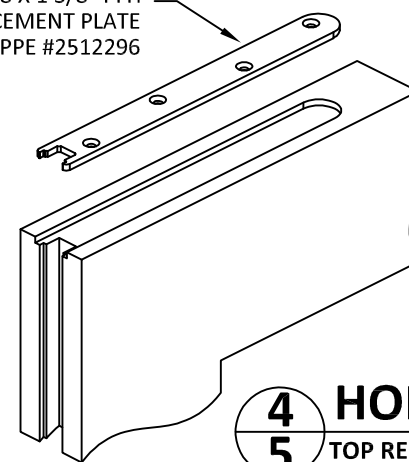
JELD WEN
 WINDOWS & DOORS

REMARKS	BY	DATE
Add Multi-Point Lock	GL	06/23/14
Reference DWG. #A010853A	AM	09/04/19

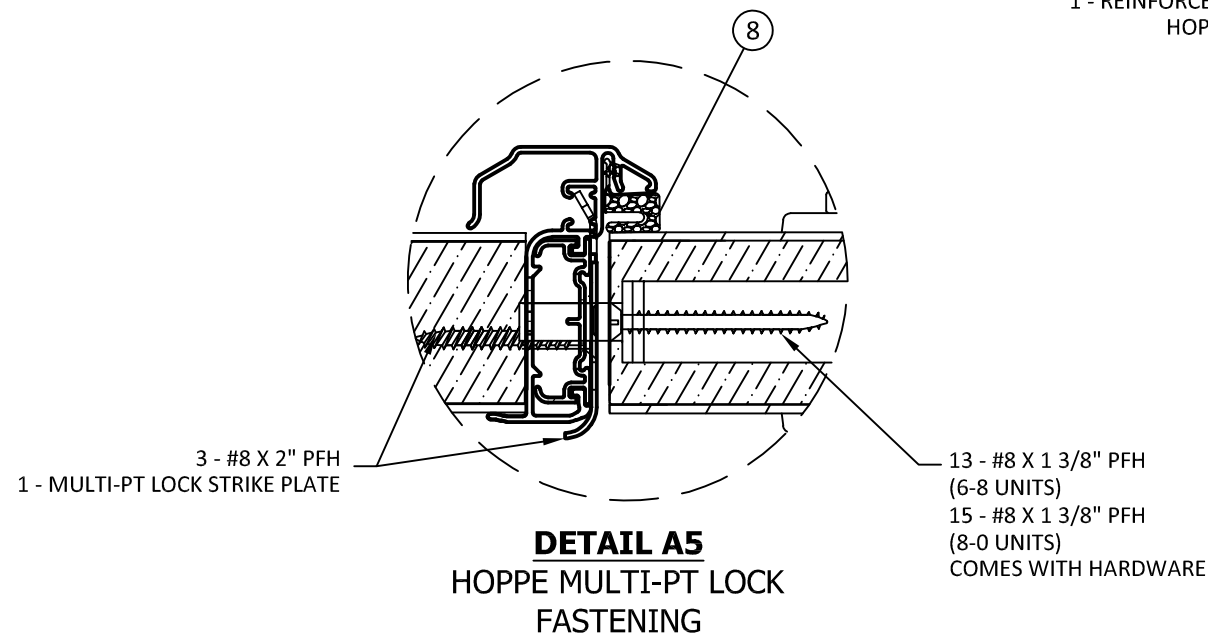
THE INSTALLATION DETAILS DESCRIBED HEREIN ARE GENERIC AND MAY NOT REFLECT ACTUAL CONDITIONS FOR A SPECIFIC SITE. IF SITE CONDITIONS CAUSE INSTALLATION TO DEVIATE FROM THE REQUIREMENTS DETAILED HEREIN, A LICENSED ENGINEER OR ARCHITECT SHALL PREPARE SITE SPECIFIC DOCUMENTS FOR USE WITH THIS DOCUMENT.



- 4 - #8 X 1 3/8" PFH
- 1 - REINFORCEMENT PLATE
 HOPPE #2512296



4
5 HOPPE MULTI-POINT LOCK
 TOP REINFORCEMENT PLATE - ACTIVE PANEL ONLY



- 3 - #8 X 2" PFH
- 1 - MULTI-PT LOCK STRIKE PLATE

- 13 - #8 X 1 3/8" PFH (6-8 UNITS)
- 15 - #8 X 1 3/8" PFH (8-0 UNITS)
- COMES WITH HARDWARE

DETAIL A5
 HOPPE MULTI-PT LOCK
 FASTENING

DATE:	02.05.14	
DWG. BY:	GL/TJM	CHK. BY: SS/MSS
SCALE:	NTS	
DWG. #:	D015696	
SHEET:	5	OF 8

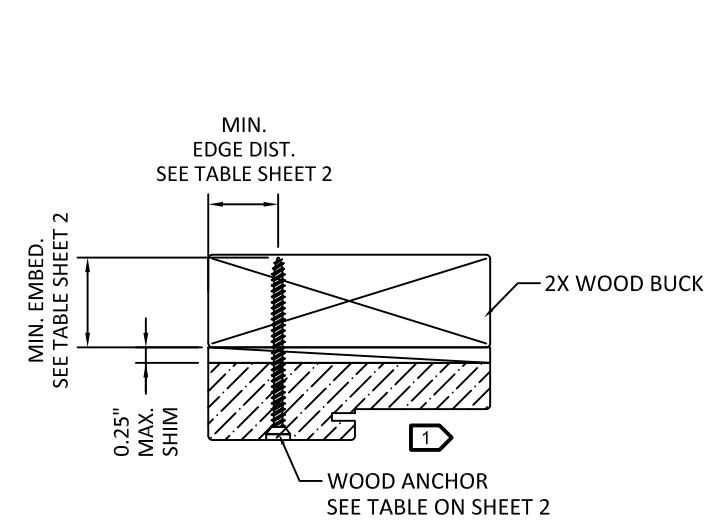
PREPARED BY:

BUILDING DROPS, INC.
 398 E. DANIA BEACH BLVD., STE. 338
 DANIA BEACH, FL 33004
 PH: (954)399-8478
 FAX: (954)744.4738
 WEB: www.buildingdrops.com

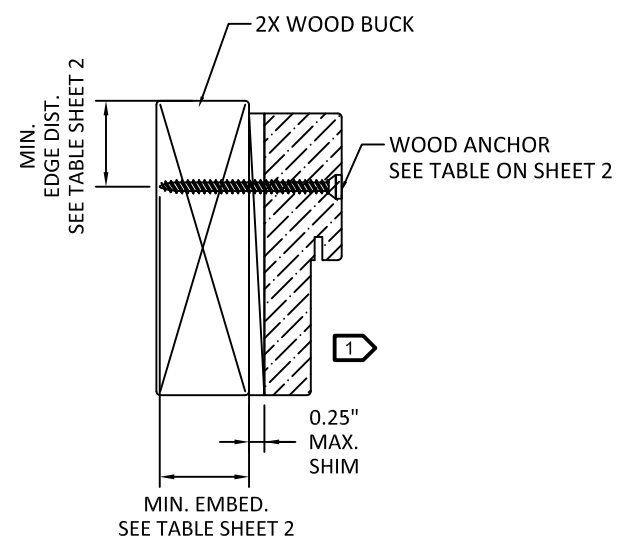
TITLE: DESIGN PRO/SMOOTH PRO
 IMPACT APPROVED
 WOOD SUBSTRATES

3737 LAKEPORT BLVD.,
 KLAMATH FALLS, OR 97601
 PH: (541)882-3451
 FAX: (541)850-2609

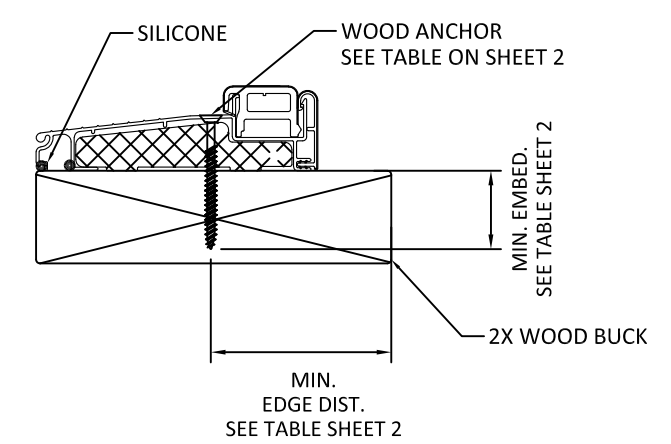
...updates per operation field mem. 10/01/2012...1.rdg



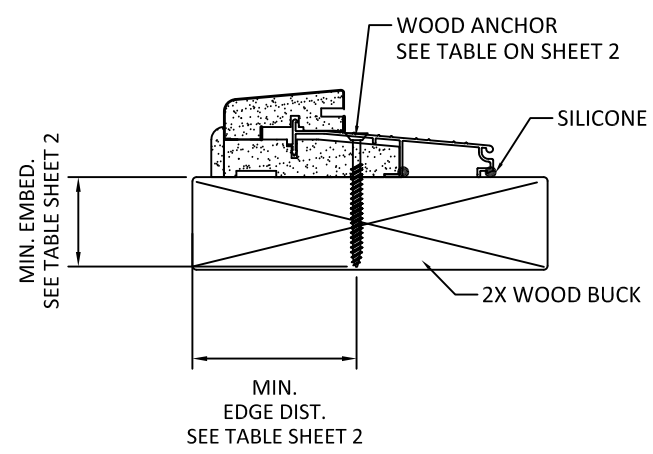
1
6 HEAD (TYPICAL)
 OUTSWING SHOWN - INSWING SIMILAR



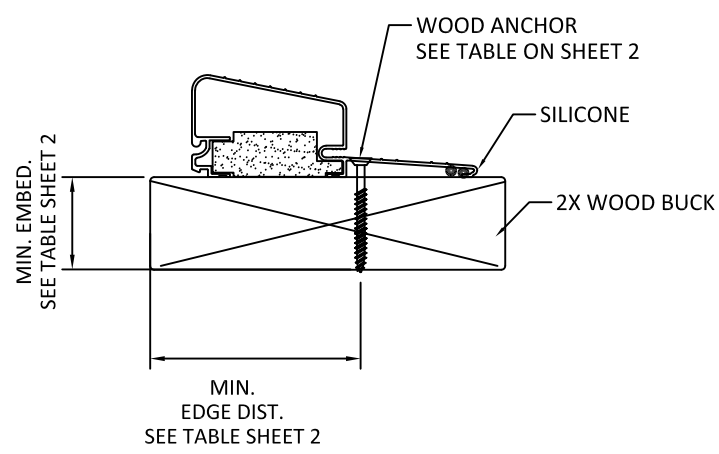
2
6 JAMB (TYPICAL)
 OUTSWING SHOWN - INSWING SIMILAR



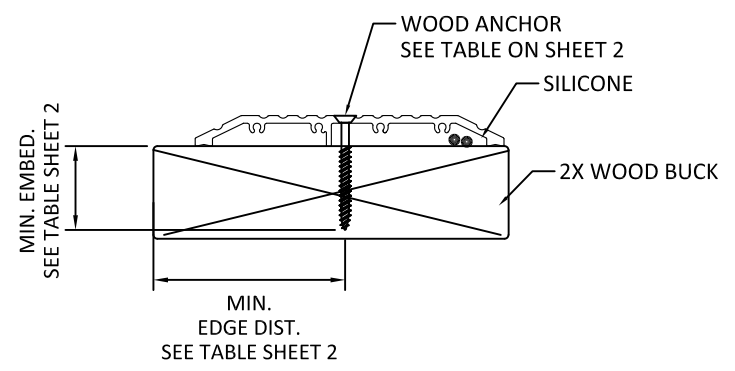
3
6 OPERABLE SILL
 INSWING



4
6 OPERABLE SILL
 OUTSWING



5
6 OPERABLE SILL
 HIGH BUMP OUTSWING
 AFCO H-497

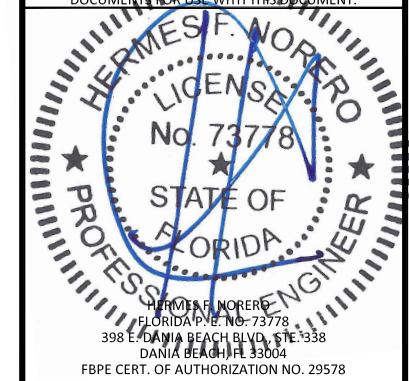


6
6 ADA THRESHOLD

1 OPTIONALLY, ANCHOR CAN BE PLACED IN NARROW SECTION OF HEAD OR JAMB AS LONG AS MINIMUM EMBEDMENT AND EDGE DISTANCE ARE ACHIEVED.

REMARKS	BY	DATE
Add Multi-Point Lock	GL	06/23/14
Reference DWG. #A010853A	AM	09/04/19

THE INSTALLATION DETAILS DESCRIBED HEREIN ARE GENERIC AND MAY NOT REFLECT ACTUAL CONDITIONS FOR A SPECIFIC SITE. IF SITE CONDITIONS CAUSE INSTALLATION TO DEVIATE FROM THE REQUIREMENTS DETAILED HEREIN, A LICENSED ENGINEER OR ARCHITECT SHALL PREPARE SITE SPECIFIC DOCUMENTS FOR USE WITH THIS DOCUMENT.



HERMES F. NORERO
 FLORIDA P.E. NO. 73778
 398 E. DANIA BEACH BLVD., STE. 338
 DANIA BEACH, FL 33004
 FBPE CERT. OF AUTHORIZATION NO. 29578

DATE:	02.05.14
DWG. BY:	GL/TJM
CHK. BY:	SS/MSS
SCALE:	NTS
DWG. #:	D015696
SHEET:	OF 8

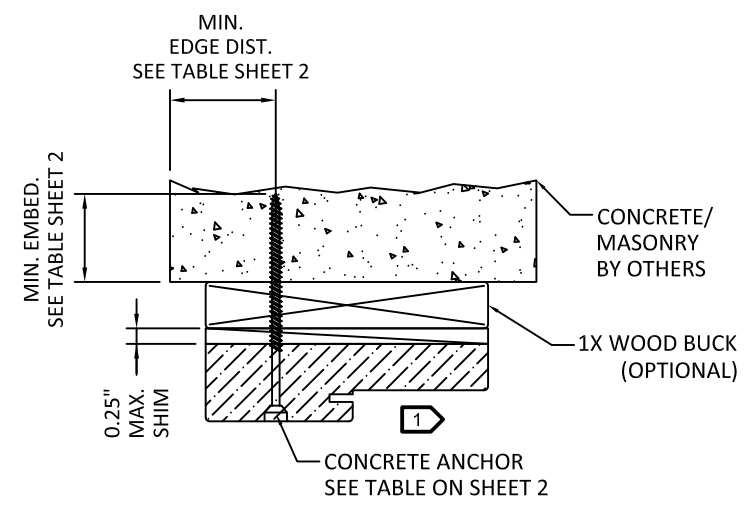
PREPARED BY:

BUILDING DROPS, INC.
 398 E. DANIA BEACH BLVD., STE. 338
 DANIA BEACH, FL 33004
 PH: (954)399-8478
 FAX: (954)744.4738
 WEB: www.buildingdrops.com

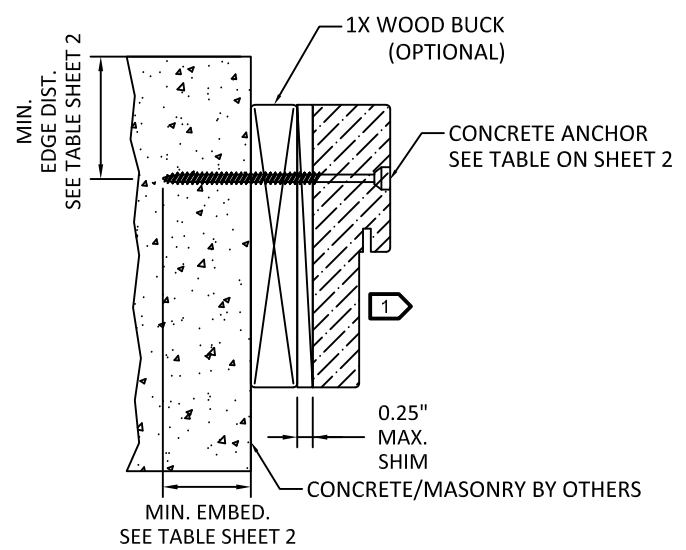
TITLE: DESIGN PRO/SMOOTH PRO
 IMPACT APPROVED
 CONCRETE SUBSTRATES

3737 LAKEPORT BLVD.,
 KLAMATH FALLS, OR 97601
 PH: (541)882-3451
 FAX: (541)850-2609

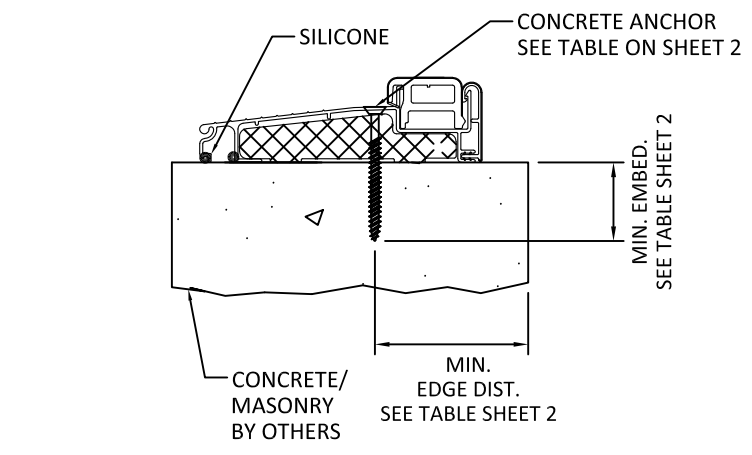
...updates per revision table... 2012... .dwg



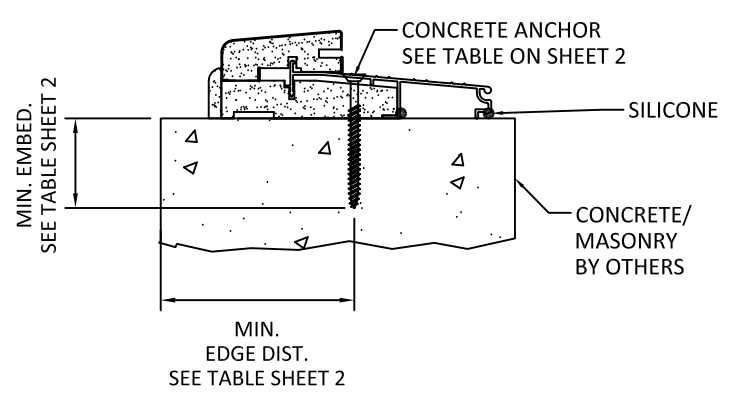
1
7 HEAD (TYPICAL)
 OUTSWING SHOWN - INSWING SIMILAR



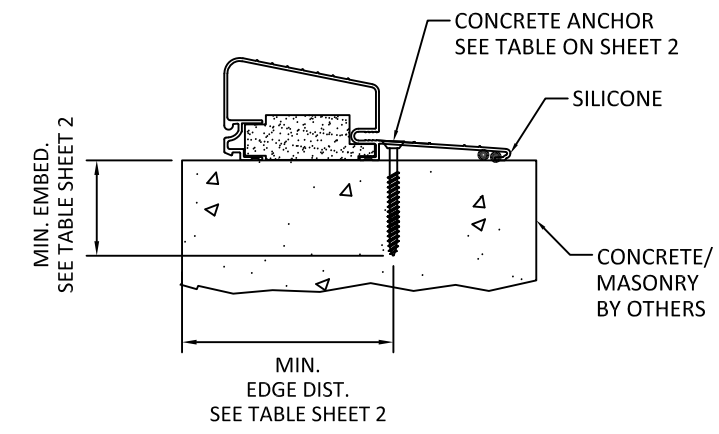
2
7 JAMB (TYPICAL)
 OUTSWING SHOWN - INSWING SIMILAR



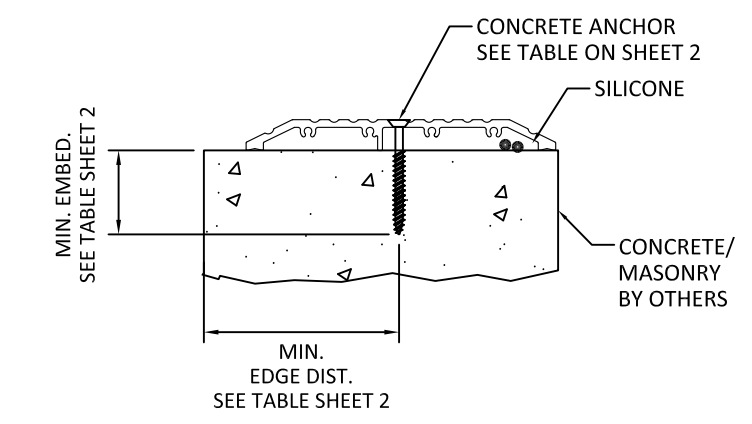
3
7 OPERABLE SILL
 INSWING



4
7 OPERABLE SILL
 OUTSWING



5
7 OPERABLE SILL
 HIGH BUMP OUTSWING
 AFCO H-497

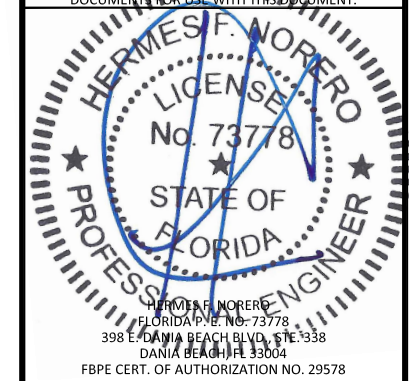


6
7 ADA THRESHOLD

1 OPTIONALLY, ANCHOR CAN BE PLACED IN NARROW SECTION OF HEAD OR JAMB AS LONG AS MINIMUM EMBEDMENT AND EDGE DISTANCE ARE ACHIEVED.

REMARKS	BY	DATE
Add Multi-Point Lock	GL	06/23/14
Reference DWG. #A010853A	AM	09/04/19

THE INSTALLATION DETAILS DESCRIBED HEREIN ARE GENERIC AND MAY NOT REFLECT ACTUAL CONDITIONS FOR A SPECIFIC SITE. IF SITE CONDITIONS CAUSE INSTALLATION TO DEVIATE FROM THE REQUIREMENTS DETAILED HEREIN, A LICENSED ENGINEER OR ARCHITECT SHALL PREPARE SITE SPECIFIC DOCUMENTS FOR USE WITH THIS DOCUMENT.

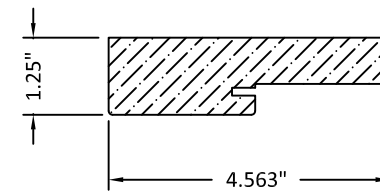


HERMES F. NORERO
 FLORIDA P.E. NO. 73778
 398 E. DANIA BEACH BLVD., STE. 338
 DANIA BEACH, FL 33004
 FBPE CERT. OF AUTHORIZATION NO. 29578

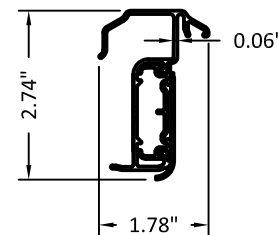
DATE:	02.05.14
DWG. BY:	GL/TJM
CHK. BY:	SS/MSS
SCALE:	NTS
DWG. #:	D015696
SHEET:	OF 8

BILL OF MATERIALS		
ITEM#	DESCRIPTION	MATERIAL
1	FRAME HEAD/JAMBS	FINGER-JOINTED PINE
		SOLID PINE
		LAMINATED VENEER LUMBER
		COMPOSITE
2	ASTRAGAL, ENDURA ULTIMATE HURRICANE (SEE SHEET 2 FOR HARDWARE AND FASTENING DETAILS)	6063-T6 ALUMINUM
3	(NOT USED)	-
4	THRESHOLD	-
5	THRESHOLD	-
6	(NOT USED)	-
7	AFCO H-497 THRESHOLD	-
8	WEATHERSTRIP	URETHANE FOAM & POLYETHYLENE
9	NON-COMPRESSION SHIM (0.25" MAX. THK.)	COMPOSITE
10	2X WOOD (S.G. MUST BE 0.55 OR GREATER)	WOOD
11	1X WOOD (S.G. MUST BE 0.55 OR GREATER)	WOOD
12	#10 WOOD INSTALLATION SCREW W/ 1 1/2" MIN. EMBEDMENT	STEEL
13	CONC./CMU ANCHOR (SEE ANCHOR TABLE SHEETS 2 & 3)	STEEL
14	BUTT HINGE (SEE SCHEDULE SHEET 5)	-
15	LOCK SERIES 400	STEEL
16	DEADBOLT SERIES 780	STEEL
17	HOPPE MULTI-POINT HARDWARE HLS9000 (SEE SHEET 2 FOR HARDWARE AND FASTENING DETAILS)	STEEL
18	PU DOOR CORE	-
19	ADA THRESHOLD	-

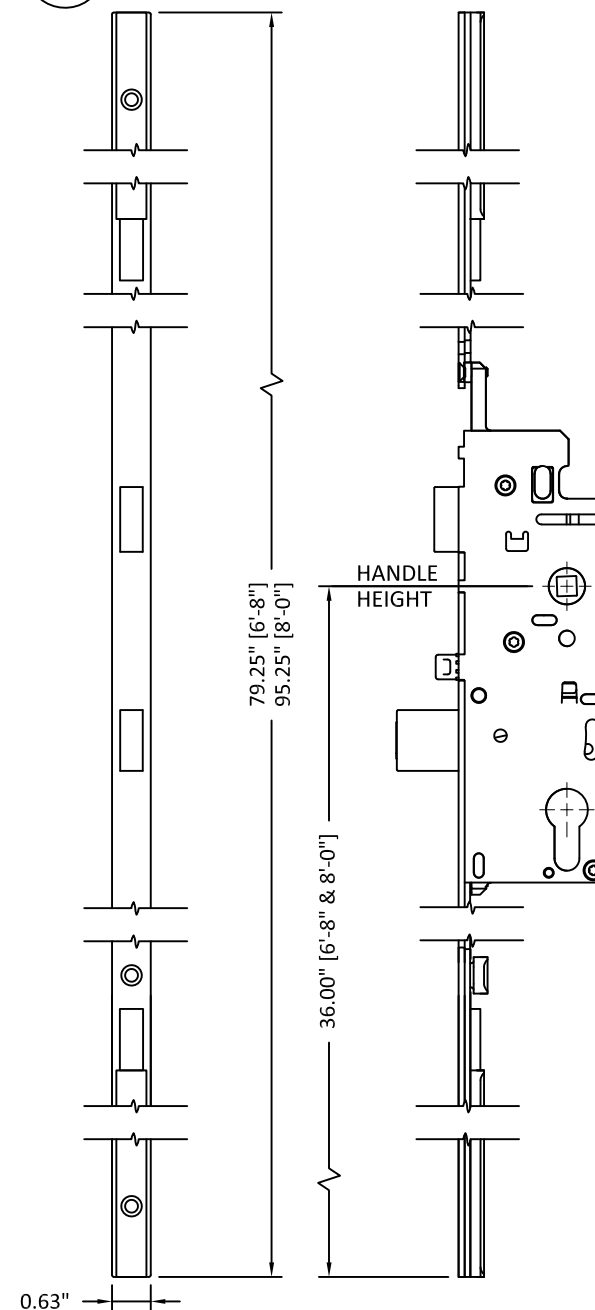
1 FRAME HEAD/JAMBS
VARIES, SEE BOM ABOVE



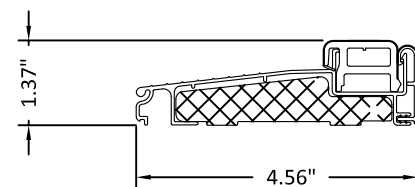
2 ENDURA ASTRAGAL
ALUMINUM



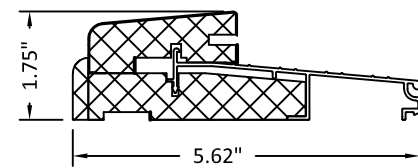
17 HOPPE MULTI-POINT LOCK



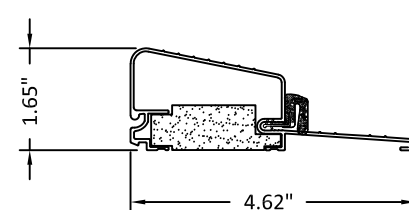
4 THRESHOLD



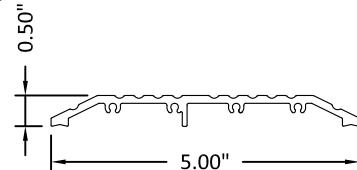
5 THRESHOLD



7 AFCO H-497 THRESHOLD



19 ADA THRESHOLD



PREPARED BY:

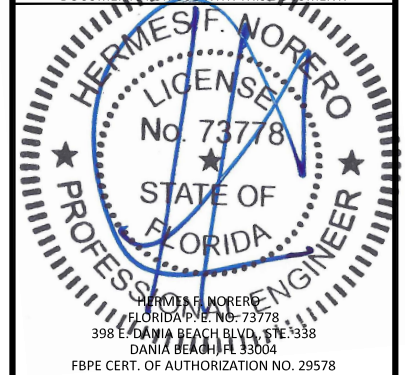
BUILDING DROPS, INC.
398 E. DANIA BEACH BLVD., STE. 338
DANIA BEACH, FL 33004
PH: (954)399-8478
FAX: (954)744.4738
WEB: www.buildingdrops.com

TITLE: DESIGN PRO/SMOOTH PRO
IMPACT APPROVED
COMPONENTS AND BILL OF MATERIALS

3737 LAKEPORT BLVD.,
KLAMATH FALLS, OR 97601
PH: (541)882-3451
FAX: (541)850-2609

REMARKS	BY	DATE
Add Multi-Point Lock	GL	06/23/14
Reference DWG. #A010853A	AM	09/04/19

THE INSTALLATION DETAILS DESCRIBED HEREIN ARE GENERIC AND MAY NOT REFLECT ACTUAL CONDITIONS FOR A SPECIFIC SITE. IF SITE CONDITIONS CAUSE INSTALLATION TO DEVIATE FROM THE REQUIREMENTS DETAILED HEREIN, A LICENSED ENGINEER OR ARCHITECT SHALL PREPARE SITE SPECIFIC DOCUMENTS FOR USE WITH THIS DOCUMENT.



HERMES F. NORERO
FLORIDA P.E. NO. 73778
398 E. DANIA BEACH BLVD., STE. 338
DANIA BEACH, FL 33004
FBPE CERT. OF AUTHORIZATION NO. 29578

DATE:	02.05.14
DWG. BY:	GL/TJM
CHK. BY:	SS/MSS
SCALE:	NTS
DWG. #:	D015696
SHEET:	OF 8